



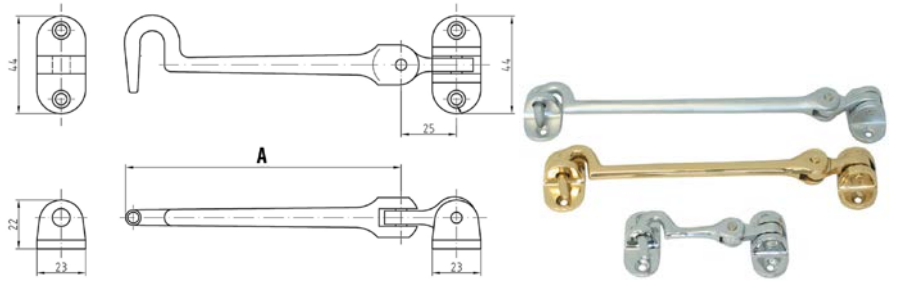
Izerwaren  
Order  
numbers

**Door ajar hooks (2551)**

For full size doors  
Double swinging  
Hook length + bracket length =  
working length  
Add 25 mm for working length

- Hook length:
- 33.050 50 mm - 2"
- 33.075 75 mm - 3"
- 33.100 100 mm - 4"
- 33.125 125 mm - 5"
- 33.150 150 mm - 5 7/8"
- 33.175 175 mm - 6 7/8"
- 33.200 200 mm - 7 7/8" \*

\*) all sizes in inches approximate



Ajar Hooks: Hook length (A) : 2", 3", 4" 5", 5 7/8", 6 7/8", 7 7/8" (add : 1" for door to wall length)

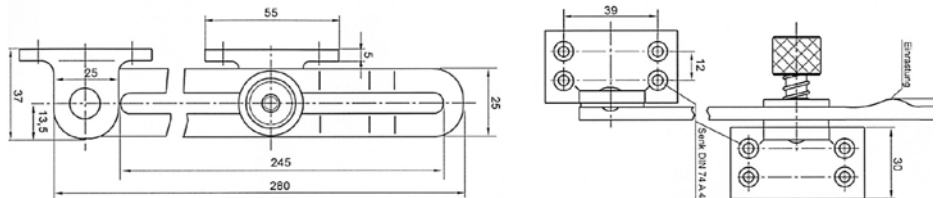
- 33.065A
- 33.065F

**304 STAINLESS STEEL** Door stay.  
Heavy duty with brake and endstop.  
235 mm travel, Angle model  
235 mm travel, Flush model  
See page 3-3-1 for details



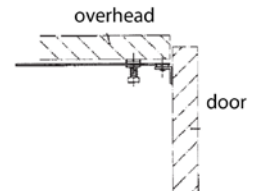
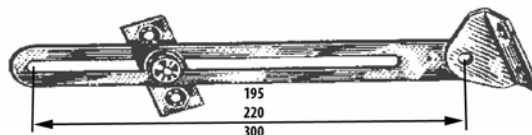
**STAINLESS STEEL**

#33.065 Door stay heavy duty with brake and endstop; 235 mm travel, ~ 9 1/4"  
Available with angle (33.065A) or flush (33.065F) mounted brackets. See page 3-3-1 for details



- 33.654A
- 33.654B
- 33.654C

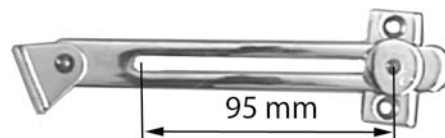
**Door stay (2654)**  
medium duty,  
friction adjustable with thumb-screw  
Travel: 165 mm; length: 195 mm  
Travel: 190 mm; length: 220 mm  
Travel: 270 mm; length: 300 mm  
**ALSO AVAILABLE WITH BRAKE**  
Please check with our office  
For details



Door stay #33.654.A light duty, 165 mm travel; size 195 mm -slot to pivot  
Door stay #33.654.B light duty, 190 mm travel; size 220 mm - slot to pivot  
Door stay #33.654.C light duty, 270 mm travel; size 300 mm - slot to pivot

- 33.225

**Door stay**  
Light duty,  
friction adjustable with thumb-screw  
Travel: 95 mm



door stay #33.225 light duty, with brake, 90 mm travel ~ 3 3/4"

*Rule of thumb size door stays:  
Travel length of door stays should  
be about equal to 1/4 of the door  
width.*



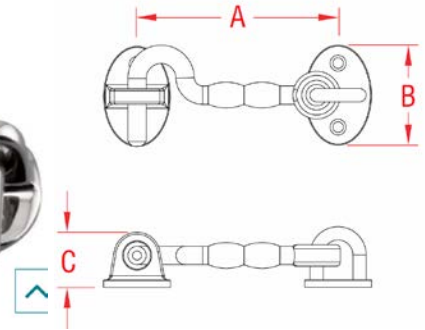
Izerwaren  
Order  
numbers

**Door ajar hooks**

For full size doors  
Double swinging  
Hook length + bracket length =  
working length  
Add 25 mm for working length

33.3851 Hook length: - 3"  
33.3852 Hook length: - 4"

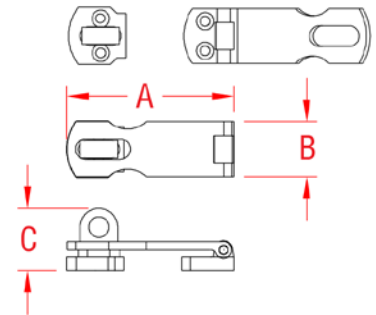
33.3852LT Hook plate separate  
316 Stainless steel



33.3851 Ajar Hook Length 3 inch  
33.3852 Ajar Hook Length 4 inch

A= 3 and 4 inch  
B= 1.48 inch  
C= 0.82 inch

46.3853 **Safety hasp** 3 inch  
Heavy Duty  
316 Stainless steel



#33.3853 The Heavy Duty Safety Hasp is precision cast and easily installed using #8 fasteners.

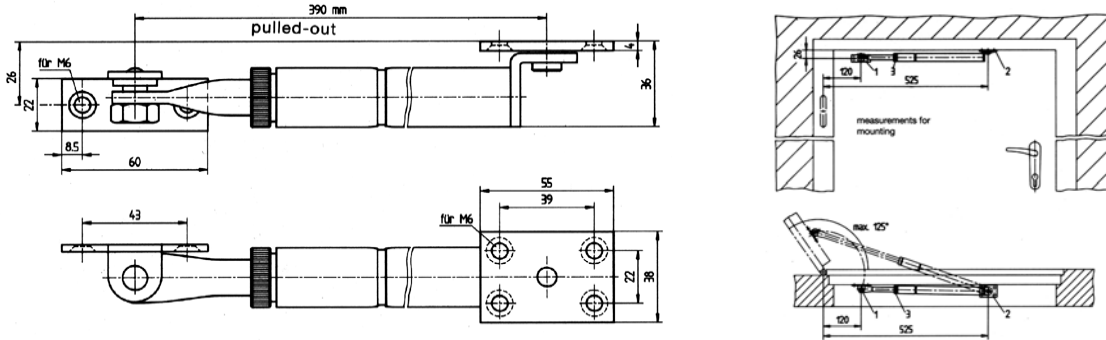
A= 3 inch  
B= 1 inch  
C= 1.16 inch



**DOOR STAYS HEAVY DUTY AND MEDIUM DUTY SEAWATER RESISTANT**



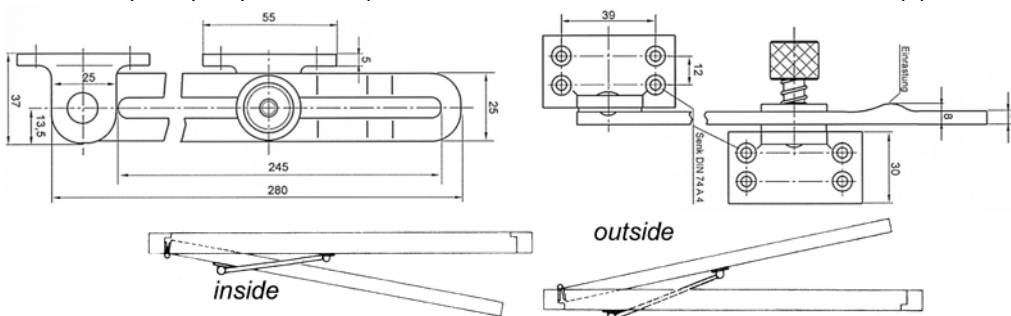
**#32.017 Telescopic door stay holder with brake** For heavy doors, up to 150 lbs. Stainless steel. Adjustable tension.



**#32.500 Telescopic door stay holder with brake** For medium heavy doors, up to 80 lbs. Stainless steel. Adjustable tension by turning nut. Stroke: 225 mm. Stainless steel. Overall length: Center to Center Brackets: 575 / 350 mm.



**#33.065F Door stay heavy duty for doors up to 200 lbs. with flush brackets with brake and endstop polished stainless steel**



Installation diagrams door stay 33.065F with flush brackets



**#33.065A Door stay with angle brackets with brake and endstop satin stainless steel**



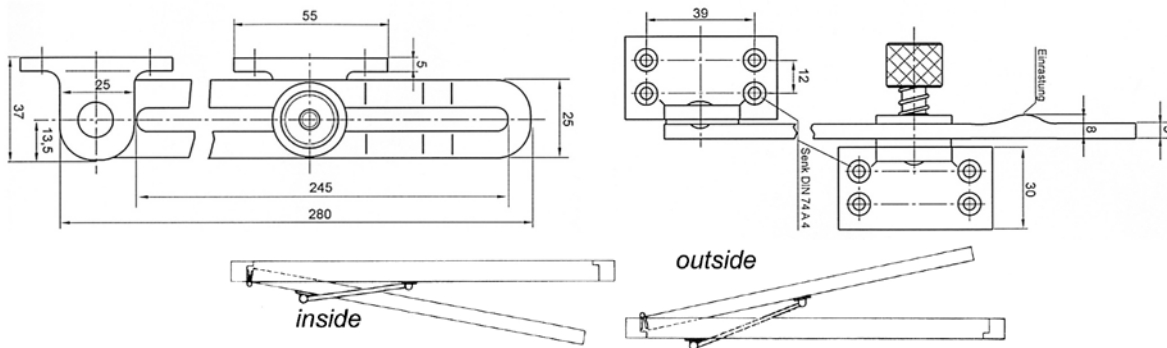
Installation sample with angle bracket 33.065A

mounted outside

mounted inside.



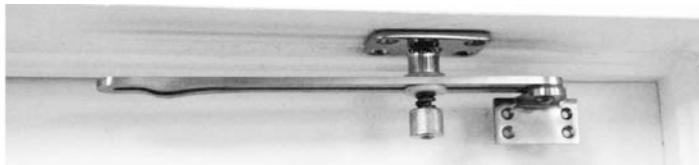
#33.065F Door stay with flush brackets with brake and endstop polished stainless steel  
**STAINLESS STEEL**



Installation diagrams door stay 33.065F with flush brackets



#33.065A Door stay with angle brackets with brake and endstop satin stainless steel  
**STAINLESS STEEL**



Installation sample with angle bracket 33.065A mounted outside



mounted inside.